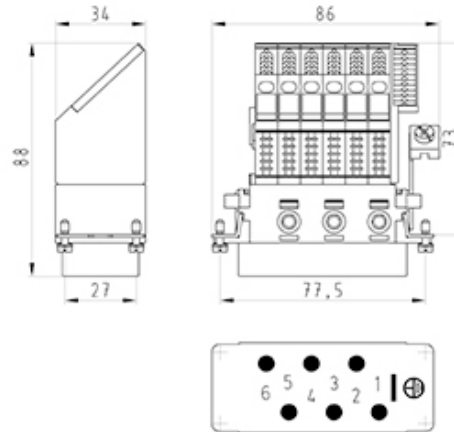


Datasheet

Item No. 70.005.0653.0

Multipole adapter POW BAS WR 6 6,0 40 AG

Multipole adapter revos POWER 400V/35A 6 pole + ground, female insert, ground right



Item No.	70.005.0653.0
EAN	4015573217812
order unit	10 Piece(s)

Approvals



Technical data

General

ArticlePrice	udp_no_price
Model	Female insert
Size (in accordance with DIN 43880)	6
Inflammability class of insulation material acc. with UL94	V2
Colour	Grey
Mating cycles	200
Pollution degree	3
Operating temperature range min.	-40 °C
Operating temperature range max.	120 °C
Modular version	No

Connection Data

Connection type	Screw connection
Number of poles	6
Plus switching contacts	0
Number of pole for rated current 2	0
Number of pole for rated current 3	0
Total number of poles (without ground contact)	6
With wire protection	Yes
Leiterquerschnitt starr (ein-/mehrdrahtig) Min.	2.5
Leiterquerschnitt starr (ein-/mehrdrahtig) Max.	6
Protective contact	Yes

Technical Data UL/CSA

Rated voltage according to UL/CSA	600
Rated current according UL	35
Rated current according CSA	35
Min. conductor cross section flexible wire	2.5
Max. conductor cross section flexible wire	6
Conductor cross section flexible AWG wire	14-8 AWG

Model

With housing	No
Position of protective conductor	Right

Contacts

Contact material	Copper alloy
Surface	Silver-plated
Wire strip length	12 mm
Contact resistance	1 mOhm

Screws head design/recomm. Torque

Mounting screws	H1/0.5-0.7 Nm
Clamping screws	H1/0.8-1.0 Nm
Ground conductor screws	H1/1.2-1.6 Nm

Technical Data DIN EN 61984

Nominal voltage	400
Rated voltage face/ground	400
Nominal current	35
Rated impulse voltage	6 kV